

# AE3C (All In One) Solar Street Light

AE3C All In One series is medium-high power solar street lights using LEADSUN's patented design, integrate all components such as the Mono solar panel, outdoor LED, LiFePO4 battery, intelligent controller and PIR sensor together. Such design makes the installation and maintenance easy, saving the labor and maintenance cost effectively. LEADSUN's exclusive technology and the superior components help achieve its outstanding performance and long lifespan.

CE | IP66 | IK08

**LEADSUN**<sup>®</sup>

"Bright Ideas For An Even Brighter Future."

Phone: +86-756-2289712  
Email: [sales@leadsunglobal.com](mailto:sales@leadsunglobal.com)  
[www.leadsunglobal.com](http://www.leadsunglobal.com)



# Solid Product Structure

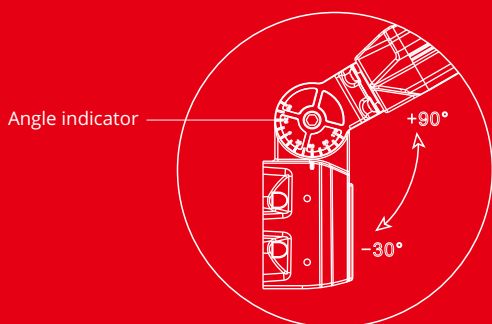
AE3C adopts modular design with IP66 rated major components and the structural parts are made of high tensile aluminum alloy. Its rational design and high-quality materials make it capable of security, better heat dissipation, waterproof and anti-corrosion to ensure the endurance against harsh environment and prevent from premature failure.



**IP66**

**Ik08**

**5 Years  
Warranty**



The adjustable bracket can be adjusted from  $-30^{\circ}$  to  $+90^{\circ}$  (each scale is 6 degree).

## Appearance Upgrade

Black Bifacial PV Module

## Solar Panel Power Upgrade

High Power up to 300W, top 10%~15% higher energy yields with double-sided solar cells

## Battery Capacity Upgrade

New battery box to increase battery capacity from 52Ah to 108Ah

# Intelligent Steady State Controller

With its rich industry experience, Leadsun has independently developed intelligent controllers for solar street lights. AE steady state controller not only realizes the smart control of lighting, but also provides comprehensive protection for the whole system. The controller comes with waterproof programming connector, charging connector and switch, providing the possibility and convenience for later maintenance.



**Efficient  
Controller**

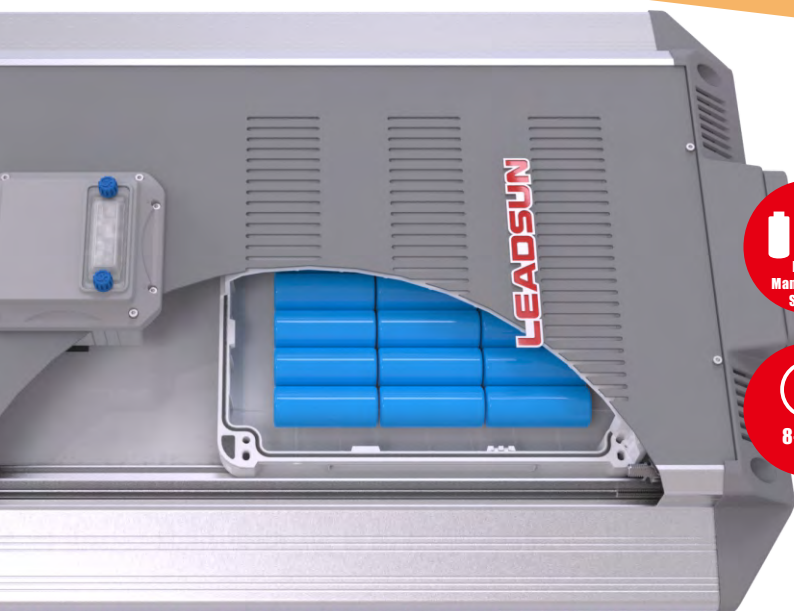


**Stable  
Operation**



Type B USB  
Female Connector  
ON/OFF Button

Type A USB  
Female Connector



**Batter  
Management  
System**



**8-Year  
Life**

## Battery Management System

Adopted environment-friendly LiFePO<sub>4</sub> battery without metal ingredient. The depth of discharge is lifted from 60% up to 90%, 5 times the cycle life.

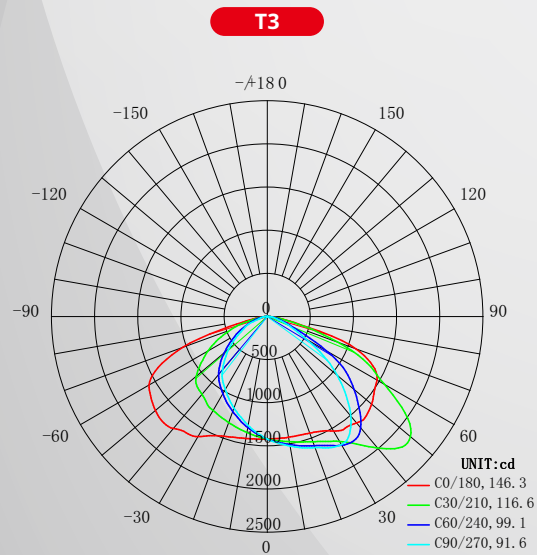
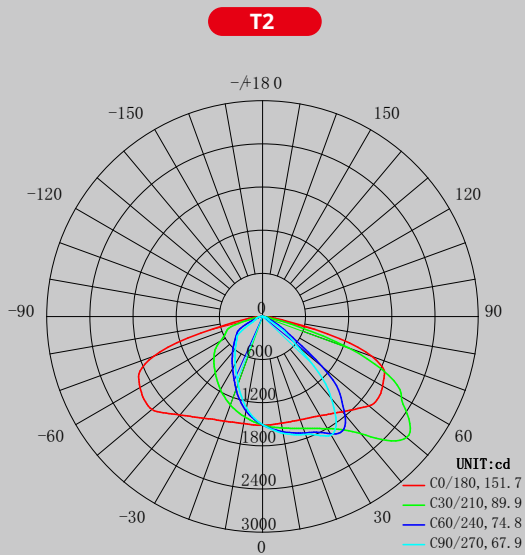
It combines of the exclusive patented battery management technology, enabling the life span of battery to last for over 8 years.

# Brilliant LED Module

Leadsun adopts premium branded Osram / Philips Cree LED chips with a USA lab-certified luminous efficacy of >180lm/W. The advanced polycarbonate polished optics lens feature anti-ultraviolet properties and are IK08 impact resistant to ensure they are robust enough to withstand the toughest of environments.

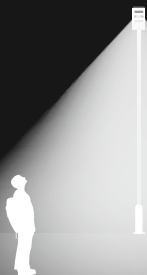
## Light Distribution

The new lens design improves the lighting effect and the high quality optics and precision engineering of the lens provide options of Type 2 & 3 IES lighting distribution patterns, other benefits include increased uniformity and comfort.



AE3C comes complete with built-in motion detection system that automatically regulate the light source from full bright to dim mode to increase battery autonomy.

100% Brightness when motion is detected



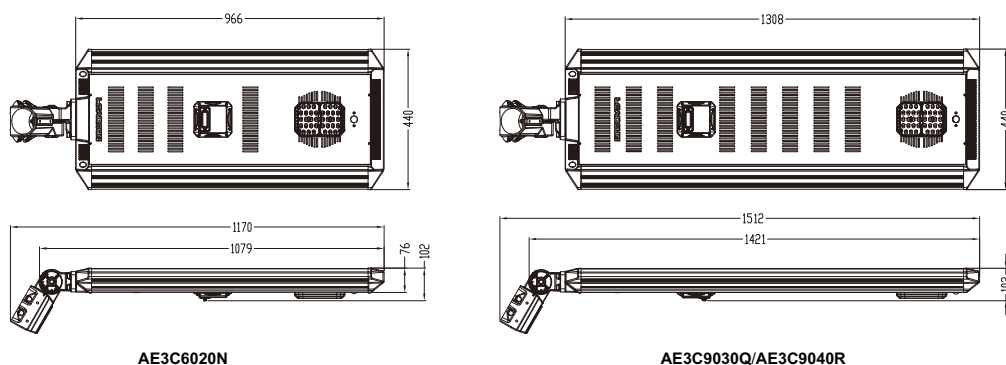
30% Brightness when no motion is detected



# AE3C Solar Street Light Specifications

Model No.	AE3C6020N	AE3C9030Q	AE3C9040R
<b>Physical Parameters</b>			
Power of PV Module (W)	60	90	90
Lithium Battery Capacity (Ah/Wh)	308	512	615
Qty. of LED Chips (pcs)	36	36	36
PIR Sensor	√	√	√
Net Weight of Product (kg)	14.5	19.5	20.2
Dimension of Product (mm)	1079(L)×440(W)×102(T)	1421(L)×440(W)×102(T)	1421(L)×440(W)×102(T)
Controller Type	Touch-tone controller	Touch-tone controller	Touch-tone controller
Wireless Control Function (Optional)	/	√	√
<b>Light Parameters</b>			
Light output (W)	20	30	40
Optical Distribution	T2/T3	T2/T3	T2/T3
Visual Angle	140°×70°	140°×70°	140°×70°
Color Temperature (k)	3000/4000/5000	3000/4000/5000	3000/4000/5000
Typical Luminous Flux (lm)	3800	5550	7200
Working Mode	100% brightness when motion is detected, 30% brightness when no motion is detected		
Min. Working Time (hours)	Bright Mode	14	15
	DIM Mode (30%)	51	57
Light Photosensitivity (lx)	30	30	30
<b>Packing Parameters</b>			
Dimension of Carton (mm)×2 Sets	1170(L)×260(W)×510(T)	1510(L)×260(W)×510(T)	1510(L)×260(W)×510(T)
Gross Weight of Product (kg)	33	43	45
<b>Environment Requirement</b>			
Charge Temperature	0°C~51°C	0°C~51°C	0°C~51°C
Discharge Temperature	-20°C~51°C	-20°C~51°C	-20°C~51°C
Storage Temperature (<3 months)	-20°C~45°C	-20°C~45°C	-20°C~45°C
Storage Temperature (3~12 months)	-20°C~25°C	-20°C~25°C	-20°C~25°C
<b>Mounting Recommendation</b>			
EPA (Effective Projected Area) (ft <sup>2</sup> )	3.05	3.99	3.99
APA (Actual Projected Area) (ft <sup>2</sup> )	2.54	3.33	3.33
Wind Load Rate (mph)	130	130	130
Top of Pole or Tenon OD (mm)	70~76	70~76	70~76
Installation Height (m)	4~7	6~8	6~8
Installation Distance (m)	15~25	25~35	25~35

## Physical Dimensions (mm)



- \* The light source contained in this luminaire shall only be replaced by the manufacturer or his service agent or a similar qualified person.
- \* The torque setting for any bolts or screws used to secure the luminaire to the bracket is 14 N/m.
- \* Use for outdoors only!